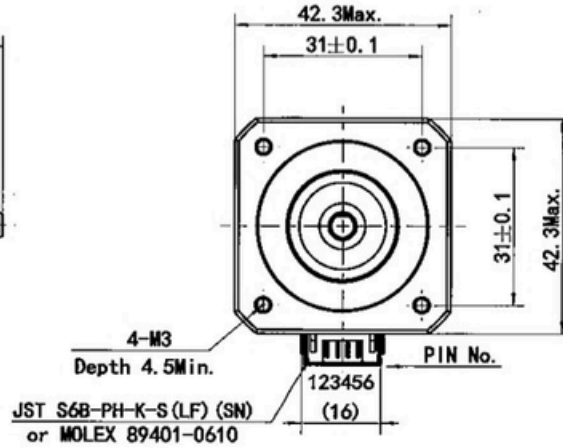
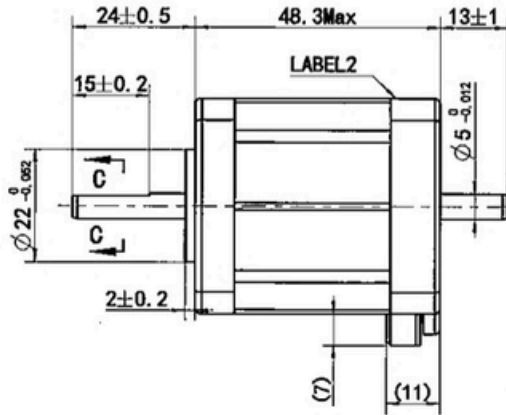
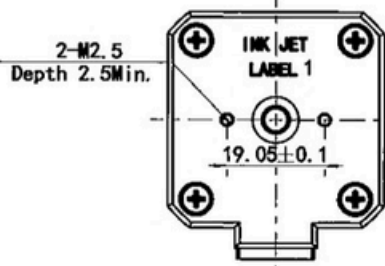
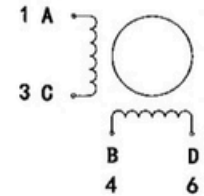


MS17HA6P4100-M



Wiring Diagram



Exciting Sequence vs. Direction of Rotation

STEP	A	B	C	D	
1	+	+	-	-	CCW ↑ CW
2	-	+	+	-	
3	-	-	+	+	
4	-	-	-	+	

Clockwise view from mounting side

Label 2 Detail

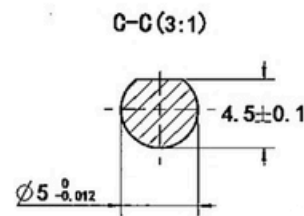
MOONS' STEPPING MOTOR
 Insulation: Class B, 60VDC Max.
 1Amps Holding: 540 mNm
 3000RPM Max. **CAI** US
 UL FILE No. E465363 XXX

Factory ID

Label 1 Detail

TYPE MS17HA6P4100-M
 XXXXXXXX YY/MM/DD
 Work Order Date Format

Specification	
1. Number of Phase	2
2. Step Angle	0.9°
3. Rated Voltage	5 V DC
4. Rated Current	1 Amp
5. Holding Torque	540 mNm Typ. (Two phase on/rated current)
6. Phase Resistance	5 ohm ±10% (20°C)
7. Phase Inductance	16 mH ±20%(1kHz 1V rms)
8. Rotor Inertia	82 gcm ²
9. Motor Weight	0.45 kg
10. Insulation Class	B (130°C)



Unit:mm
 First angle method
 Tolerances for linear and angular dimensions without individual tolerance indications GB/T 1804-m eqv ISO 2768-1:m
 Geometrical tolerance for features without individual tolerance indications GB/T 1184-K eqv ISO 2768-2:K

Approve	
Standardize	
Process Review	
Check	
Design	

PIVEXIN TECHNOLOGY

REV.	REVISION RECORD	DATE	UNLESS OTHERWISE SPECIFIED
A1	EGR23-317	2023.03.24	
A0	Original revision	2017.09.19	